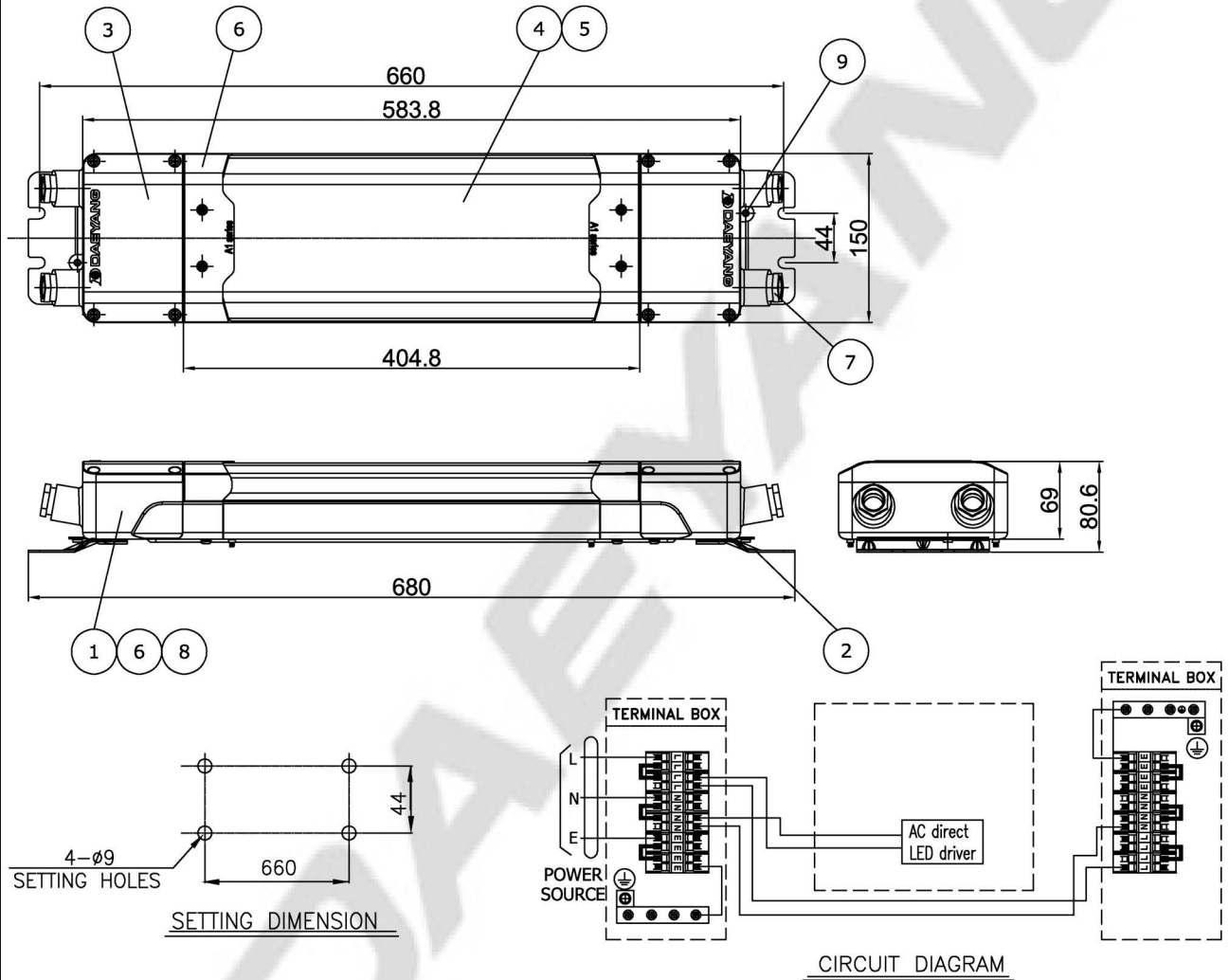


| | | |
|---------------------|---------------------|-----------------|
| CAPACITY | SYMBOL / SERIAL NO. | CIRCUIT DIAGRAM |
| AC220-240V, 50/60Hz | | |
| 20W x 1 | | |



| | | | | | 5 | LED module | - | 1 | 4,000±300K |
|----|--------------------|---------------------|------|---------|----|---------------|---------------------|------|------------|
| 9 | OUTSIDE EARTH BOLT | STAINLESS STEEL 304 | 1 | | 4 | GLOBE | POLYCAR-BONATE | 1 | MILKY |
| 8 | INSIDE EARTH BOLT | STAINLESS STEEL 304 | 1 | | 3 | BODY COVER | POLYCAR-BONATE | 2 | |
| 7 | CABLE GLAND | - | 4 | M24 | 2 | BODY BRACKET | STAINLESS STEEL 316 | 1 | |
| 6 | TERMINAL BLOCK | - | 2 | | 1 | BODY | POLYCAR-BONATE | 2 | |
| NO | NAME OF PARTS | MATERIAL | Q'TY | REMARKS | NO | NAME OF PARTS | MATERIAL | Q'TY | REMARKS |

| | | | | | | | |
|----------|------------|-------|-------|---|---------------------------|-----------|---|
| APPROVED | S. H. HONG | UNIT | MM | TITLE; LED CEILING LIGHT (SURFACE TYPE) FOR MARINE USE | | | |
| CHECKED | | SCALE | N/S | | | | |
| DRAWING | D. H. KIM | COLOR | WHITE | | | | |
| DATE | 2020.10.12 | IP | 66/67 | | | | |
| | | | | MODEL NO. | LEB120WSA-0200PWNM4w16C40 | WEIGHT | |
| | | | | DWG NO. | LO1440001 | SHEET NO. | - |